

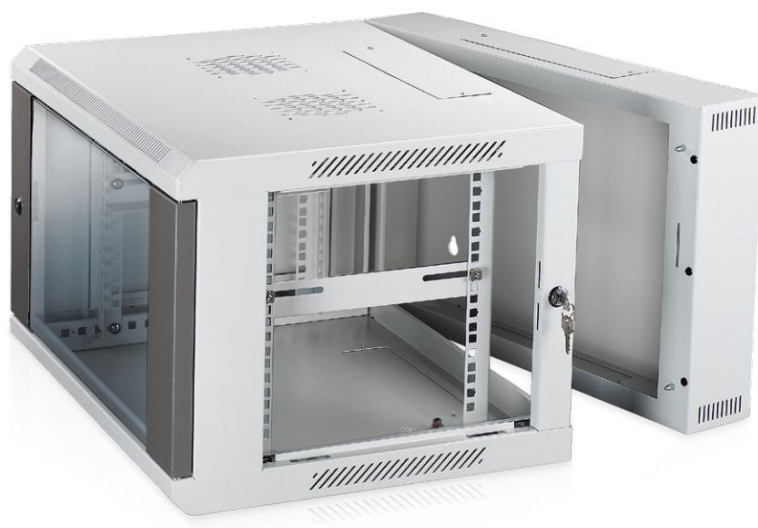
Yixing Indoor wall mount cabinet

Yixing indoor wall mount cabinets for advanced storage, cooling, power distribution, cable management and security in data centers and network rooms.

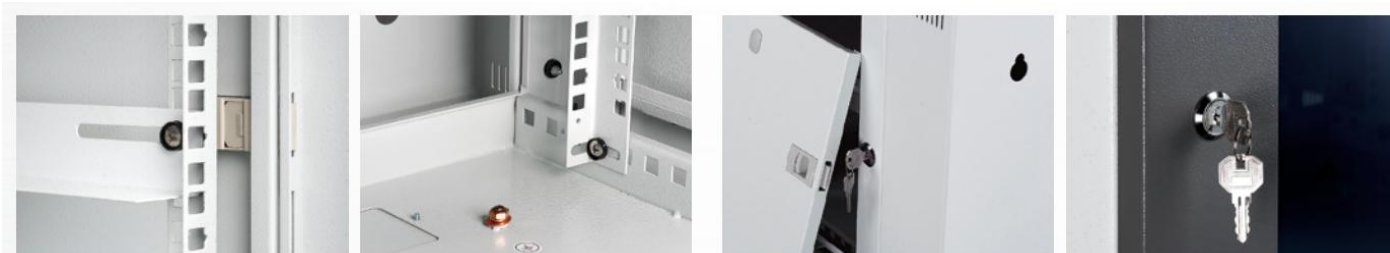
Designed to accommodate today's powerful computing hardware and scalable to cater for emerging high end blade server and equipment technologies that are rapidly appearing over the horizon - the world and the data center environment is changing and a new generation of rack solutions is born for this change.



Type A



Type B



Overview

Yixing indoor wall mount cabinets are designed and manufactured in LongXing's ISO9001 registered facility, which are fully qualified to IEC297.1, IEC297.2 and GB/T3047.2-92 standards. This cabinet is currently being widely used for housing of standard electrical equipment and server in indoor conditions. Wall mound load capacity approx: 60Kg, standing load capacity approx: 800Kg, customization is available:

<i>Item</i>	<i>Capacity (U)</i>	<i>Width (mm)</i>	<i>Depth (mm)</i>	<i>Height (mm)</i>
<i>YIDC (604504)-S01</i>	4	600	450	278
<i>YIDC (604506)-S01</i>	6	600	450	367
<i>YIDC (606006)-S01</i>	6	600	600	367
<i>YIDC (604509)-S01</i>	9	600	450	500
<i>YIDC (606009)-S01</i>	9	600	600	500
<i>YIDC (604512)-S01</i>	12	600	450	633
<i>YIDC (606012)-S01</i>	12	600	600	633
<i>YIDC (604515)-S01</i>	15	600	450	766
<i>YIDC (606015)-S01</i>	15	600	600	766
<i>YIDC (604518)-S01</i>	18	600	450	900
<i>YIDC (606018)-S01</i>	18	600	600	900
<i>YIDC (608018)-S01</i>	18	600	800	900
<i>YIDC (604522)-S01</i>	22	600	450	1073
<i>YIDC (606022)-S01</i>	22	600	600	1073
<i>YIDC (608022)-S01</i>	22	600	800	1073
<i>YIDC (604524)-S01</i>	24	600	450	1167
<i>YIDC (606024)-S01</i>	24	600	600	1167
<i>YIDC(604527)-S01</i>	27	600	450	1300
<i>YIDC (606027)-S01</i>	27	600	600	1300
<i>YIDC (608027)-S01</i>	27	600	800	1300

Features

- Top quality steel with cover by electrostatic painted ensures the strong body and pleasing appearance.
- RAL9005/ RAL9004/RAL7035/ RAL7032 upon request.
- Closed type: Front door, quick release left and right side panels. Side panel can be locked to prevent theft(optional)
- Metal or glass door upon request.
- Both top and bottom cable entries are available
- 19" mounting rails are mounted inside
- Easy installation: wall mountable
- Package: assembled packaging or flat packing upon request.
- PDU can be added upon request (optional, to be ordered separately)
- Optional shelf for equipment is available (optional, to be ordered separately)
- Optional fans can be loaded for cooling (optional, to be ordered separately)

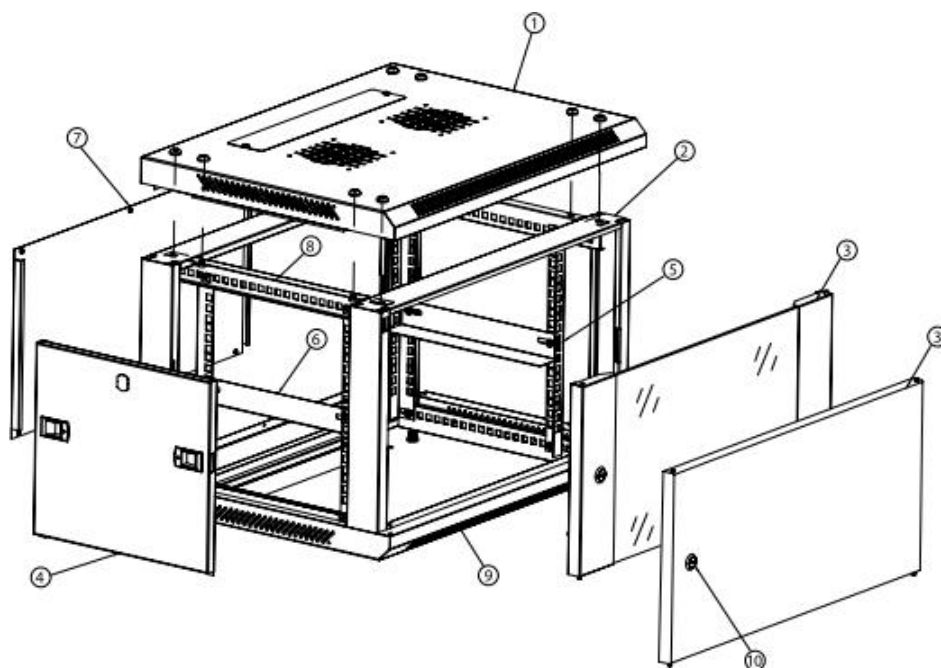
Operation Conditions	
Temperature	-5°C -- 60°C
Humidity	≤85% at 30°C
Air Pressure	70kPa – 106kPa

Shipping Information	
Package Contents	Network rack cabinet 1 unit
Package Dimensions(W*H*D)	Depend on the dimensions of the product
Material	Carton with a pallet
Weight	Depend on the dimensions of the product
Lead Time	25 working days

Structure

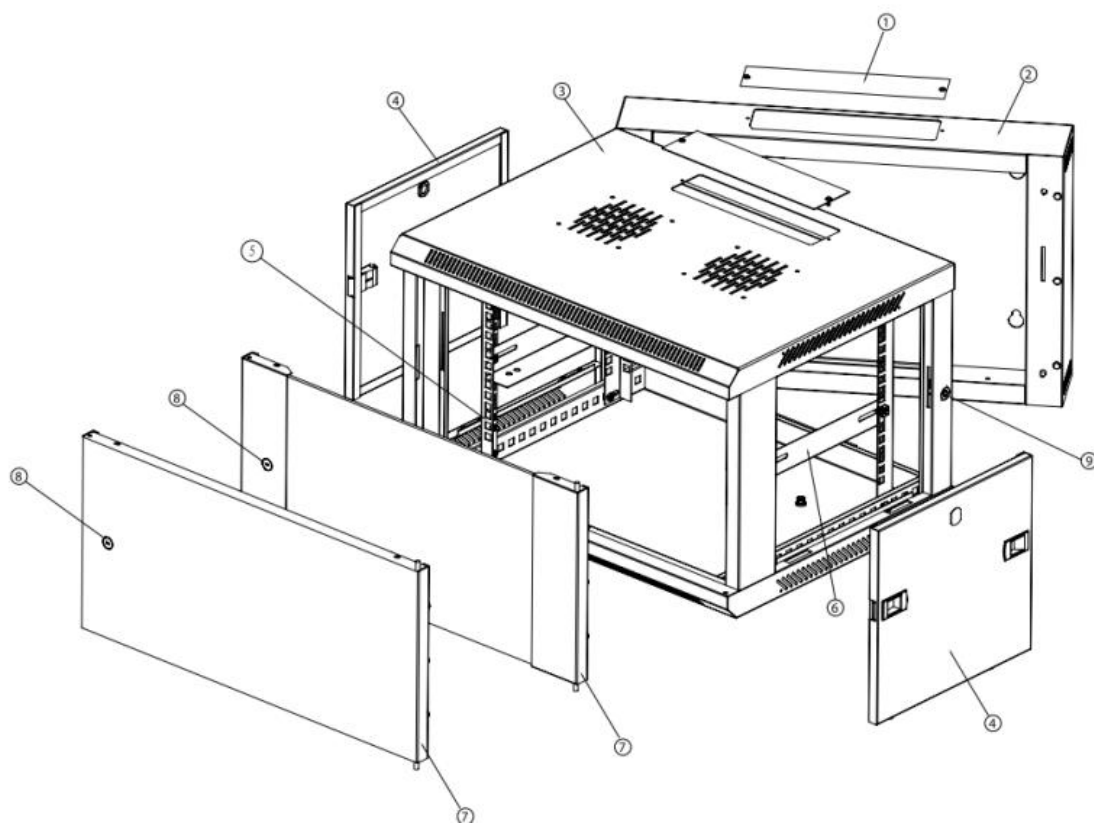
Type A

- 1: Top
- 2: Frame
- 3: Front door
- 4: Side panel
- 5: Mounting rails
- 6: L-Supporting shelf
- 7: Rear door
- 8: Ledge
- 9: Base
- 10: Lock



Type B

- 1: Cable inlet cover
- 2: Rear frame
- 3: Shell frame
- 4: Side panel
- 5: Mounting column
- 6: L-Supporting shelf
- 7: Front door
- 8: Lock



Part Details (Only for reference)



6-way UK-standard PDU
(Optional)



Fans to be mounted on the top
(Optional)